

Professional Series	CY 123C	CY 223C	CY 323C	CY 363C	CY 423C	CY 513C
Maximum Capacity	120 g	220 g	320 g	360 g	420 g	510 g
Minimum load	0.02 g	0.02 g	0.02 g	0.02 g	0.02 g	0.02 g
Readability	0.001 g	0.001 g	0.001 g	0.001 g	0.001 g	0.001 g
Repeatability	0.001 g	0.001 g	0.001 g	0.001 g	0.001 g	0.001 g
Linearity (±)	0.002 g	0.002 g	0.002 g	0.002 g	0.002 g	0.002 g
Tare Range (Subtractive)	-120 g	-220 g	-320 g	-360 g	-420 g	-510 g
Minimum Weight (USP, 0.1%, typical)	1 g					
Minimum weight (U=1%, typical)	0.1 g					
Pan Size (mm)	128 x 128					
Response Time	2 - 3 Sec.					
Display	Alpha Numeric Backlit LCD Display					
Calibration	Motorised Internal Calibration					
Units of measure	gm, mg, ct, GN, mo, oz, dwt, t1T, t1H, t1S, mom, Bat, MS					
Operating Temp.	18° to 30°C					
Sensitivity Drift.	± 2ppm (2 x 10 / °C)					
Interface	RS 232C Optional USB (Windows direct communication).					
Application Modes	PCS, % Weighing, Animal / Dynamic Weighing, Check Weighing, Automatic Density Determination, Formulation Automatic Statistic Calculator etc.					
Power Supply	DC Adaptor, input 100 ~ 240 0.8A output 13V / 15.A, 50-60Hz					
Compliance	ISO, GLP / GMP & USP					
Balance Size (W x D X H)	342.5 x 212 x 271 mm / Chamber Height 169.5mm					
Weight Approx	7.5 kg					

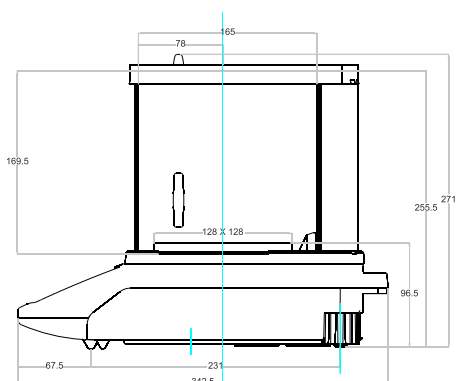
Professional Series	CY 623C	CY 723C	CY 1003C	CY 2003C	CY 3003C
Maximum Capacity	620 g	720 g	1000 g	2000 g	3000 g
Minimum load	0.02 g	0.02 g	0.02 g	0.02 g	0.02 g
Readability	0.001 g	0.001 g	0.001 g	0.001 g	0.001 g
Repeatability	0.001 g	0.001 g	0.002 g	0.003 g	0.003 g
Linearity (±)	0.002 g	0.002 g	0.005 g	0.005 g	0.005 g
Tare Range (Subtractive)	-620 g	-720 g	-1000 g	-2000 g	-3000 g
Minimum Weight (USP, 0.1%, typical)	1 g				
Minimum weight (U=1%, typical)	100 mg				
Pan Size (mm)	128 x 128				
Response Time	2 - 3 Sec.				
Display	Alpha Numeric Backlit LCD Display				
Calibration	Motorised Internal Calibration				
Units of measure	gm, mg, ct, GN, mo, oz, dwt, t1T, t1H, t1S, mom, Bat, MS				
Operating Temp.	18° to 30°C				
Sensitivity Drift.	± 2ppm (2 x 10 / °C)				
Interface	RS 232C Optional USB (Windows direct communication).				
Application Modes	PCS, % Weighing, Animal / Dynamic Weighing, Check Weighing, Automatic Density Determination, Formulation Automatic Statistic Calculator etc.				
Power Supply	DC Adaptor, input 100 ~ 240 0.8A output 13V / 15.A, 50-60Hz				
Compliance	ISO, GLP / GMP & USP				
Balance Size (W x D X H)	342.5 x 212 x 271 mm / Chamber Height 169.5mm				
Weight Approx	7.5 kg				

Accessories

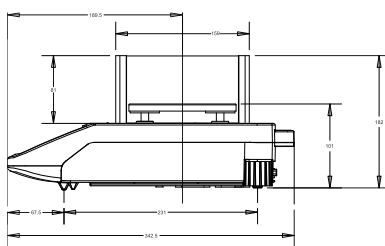
- Data Printer - CPR 02 Dot Matrix
- Density Kit - CDK01
- Test Weight - E1, E2, F1
- Anti-Vibration Pad - VRD-03
- Battery Backup - LBA-X 01
- Remote Display - SRD - 01
- IQ, OQ, PQ Document - LBA-X 20
- Interface Cable - LBA-X 15
- Anti-Thief Lock - LBA-X 16
- Specific Gravity Stand - LBA-X 13.B

Software

21 CFR PART 11 PC Software



Draft Shield



Wind Shield

